

ACTIONCOVER

INSTALLATION INSTRUCTIONS

TONNEAU COVER



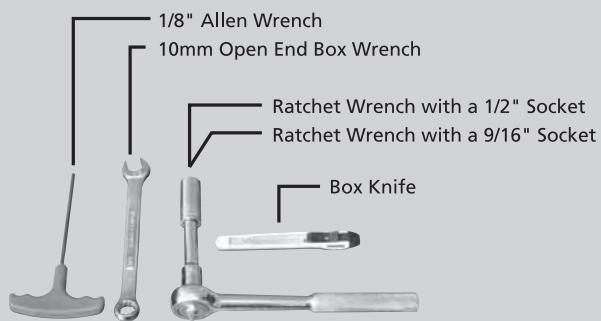
Contents

- 1 Tonneau Cover Assembly
- 1 Accessory Carton with a model specific Clamp System

Step 1: Getting Started

If tonneau cover comes in box, skip to step 5.

White outlined steps 2, 3 and 4 are required if units are shipped on dunnage.



Tools Required

Dunnage Only Steps

1.5" Cap Tape

Supplies Required for Tonneau with Dunnage



Raise ACTIONCOVER above head level.

Returnable Dunnage

Shipping Wood



Remove clamps from dunnage.



Apply cap base tape to both side rails and front bulkhead. Remove paper from cap tape.



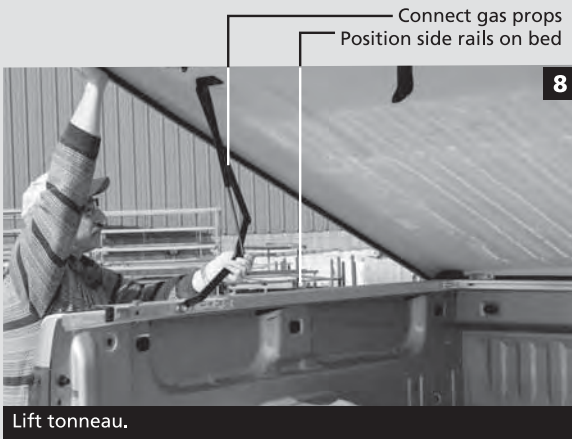
With tailgate open and using four people, place tonneau cover onto truck bed rails.



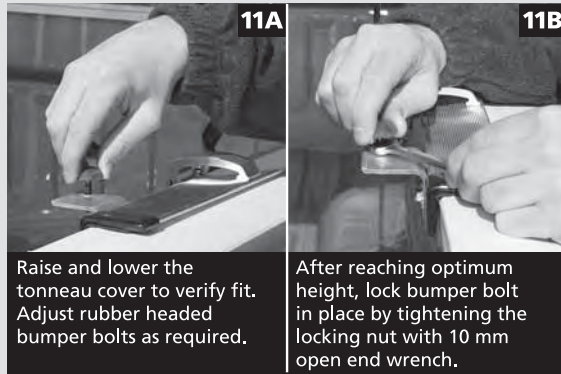
Once tonneau is in place, cut prop assist arm tie wraps.



Unlock and unlatch palm handle.

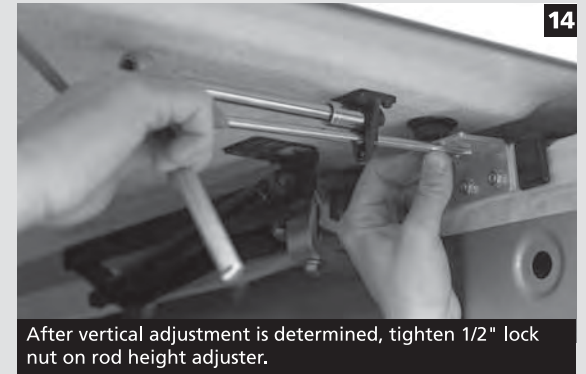


Lift tonneau.



Raise and lower the tonneau cover to verify fit. Adjust rubber headed bumper bolts as required.

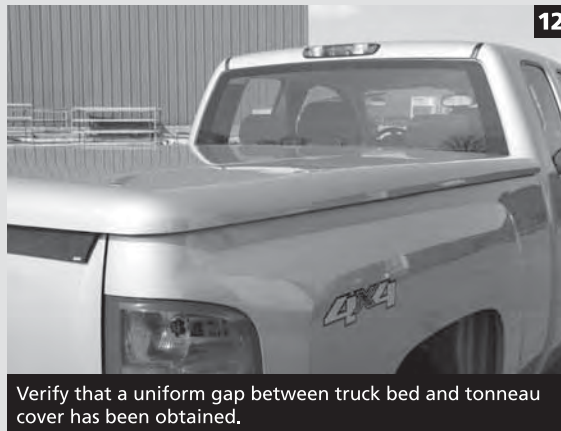
After reaching optimum height, lock bumper bolt in place by tightening the locking nut with 10 mm open end wrench.



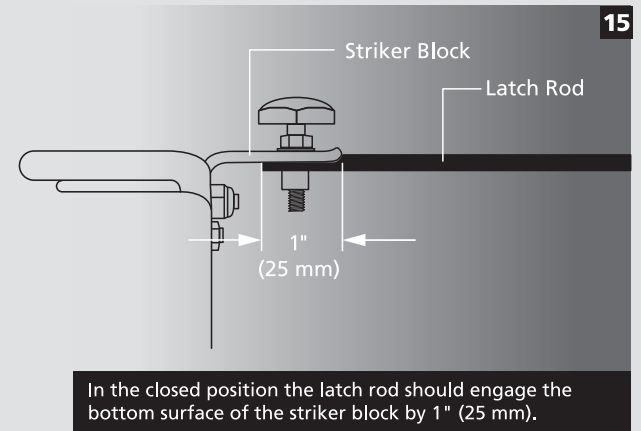
After vertical adjustment is determined, tighten 1/2" lock nut on rod height adjuster.



Close tailgate and tonneau, then align unit on truck bed.



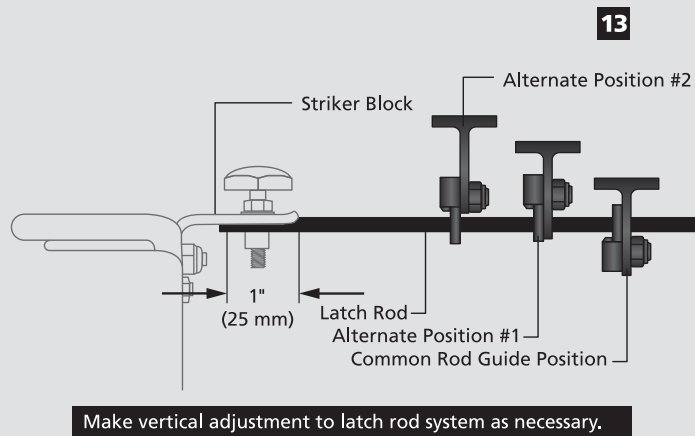
Verify that a uniform gap between truck bed and tonneau cover has been obtained.



In the closed position the latch rod should engage the bottom surface of the striker block by 1" (25 mm).



Once unit is aligned, open unit gently and attach clamps on four corners.



Make vertical adjustment to latch rod system as necessary.



After horizontal latch rod length is determined, secure latch rods by tightening set screws.